

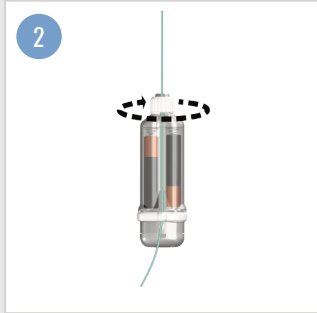
# PROGLOW FITTING INSTRUCTIONS

For use with mono-filament lines between 1.2mm - 2.4mm in diameter.

## Fitting to a new line



1 Feed the end of the line through the notch in the line clip and up through the groove in the locking collar.

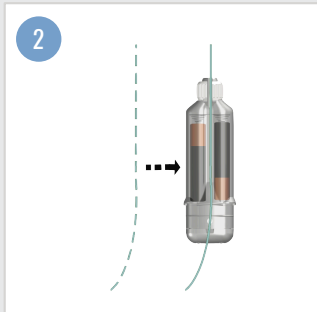


2 Twist the locking collar clockwise until it clicks, making sure the line is trapped inside.

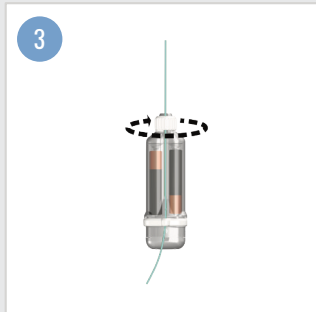
## Retrofitting



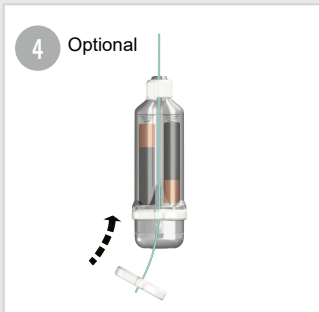
1 Remove the line clip completely.



2 Fit the line through the locking collar.



3 Twist the locking collar clockwise until it clicks, making sure the line is trapped inside.



4 Optional Replace the line clip by looping it over the existing hook and crimp, and snap it onto the bottom of the light

# TECHNICAL SPECIFICATIONS

Dimensions	92mm x 27mm x 16mm
Weight out of water	41 grams
In-water weight	17 grams
Depth Rating	1000m
Attachment	Dual point attachment with locking collar
Battery Type	2 replaceable AAA batteries
Immersion Switch	Automatic immersion switch
Housing	Durable polycarbonate

## Proglow model variations

### BRIGHT

Battery Life	5000 Hours (3 Years fishing)
Colour Options	Green or white (other colours available on request)
Light Intensity	Equivalent to one 4inch lightstick (0.07lumen)

### SUPERBRIGHT

Battery Life	1700 Hours (1 Year fishing)
Colour Options	Green or white (other colours available on request)
Light Intensity	Equivalent to three 4 inch light stick (0.21lumen)



+44 (0) 1803 849 311  
 info@fishtekmarine.com  
 www.fishtekmarine.com

Fishtek Marine, Unit 1, Webbers Way  
 Dartington, Totnes, Devon, TQ9 6JY