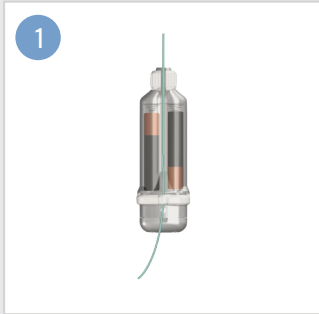


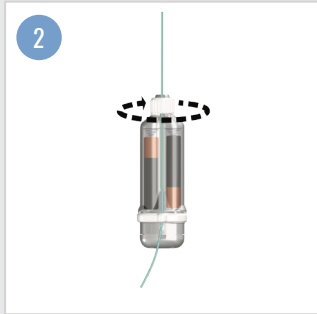
PROGLOW FITTING INSTRUCTIONS

For use with mono-filament lines between 1.2mm - 2.4mm in diameter.

Fitting to a new line

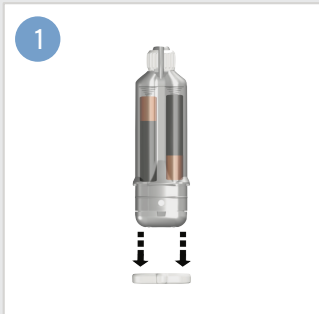


Feed the end of the line through the notch in the line clip and up through the groove in the locking collar.

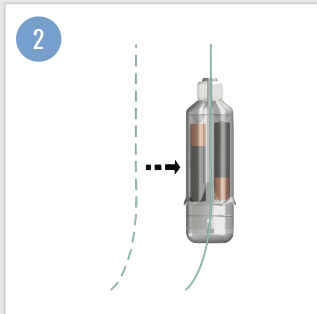


Twist the locking collar clockwise until it clicks, making sure the line is trapped inside.

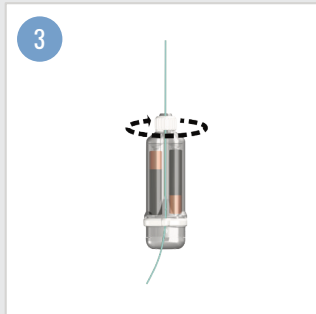
Retrofitting



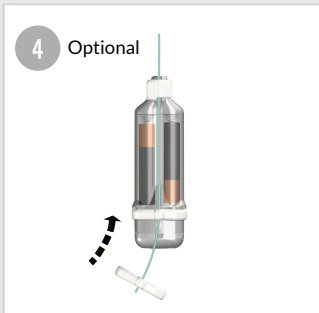
Remove the line clip completely.



Fit the line through the locking collar.



Twist the locking collar clockwise until it clicks, making sure the line is trapped inside.



Replace the line clip by looping it over the existing hook and crimp, and snap it onto the bottom of the light

TECHNICAL SPECIFICATIONS

Dimensions	92mm x 27mm x 16mm
Weight out of water	41 grams
In-water weight	17 grams
Depth Rating	1000m
Attachment	Dual point attachment with locking collar
Battery Type	2 replaceable AAA batteries
Immersion Switch	Automatic immersion switch
Drive Circuit & sound Production	Efficient drive circuit and sound producing transducer
Housing	Durable polycarbonate

Proglow model variations

BRIGHT

Battery Life	5000 Hours (3 Years fishing)
Colour Options	Green or white (other colours available on request)
Light Intensity	Equivalent to one 4 inch lightstick (0.07 lumen)

SUPERBRIGHT

Battery Life	1700 Hours (1 Year fishing)
Colour Options	Green or white (other colours available on request)
Light Intensity	Equivalent to three 4 inch lightstick (0.21 lumen)



+44 (0) 1803 849 311
info@fishtekmarine.com
www.fishtekmarine.com

Fishtek Marine, Unit 1, Webbers Way
Dartington, Totnes, Devon, TQ9 6JY